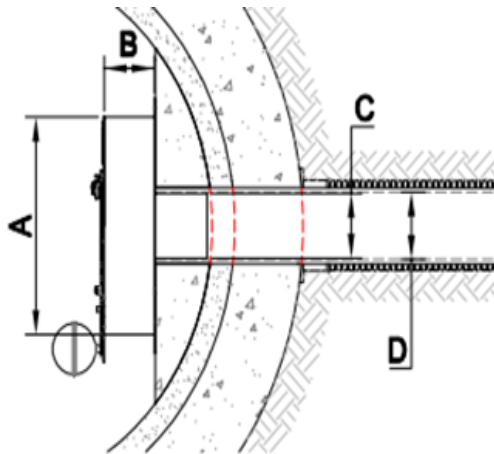
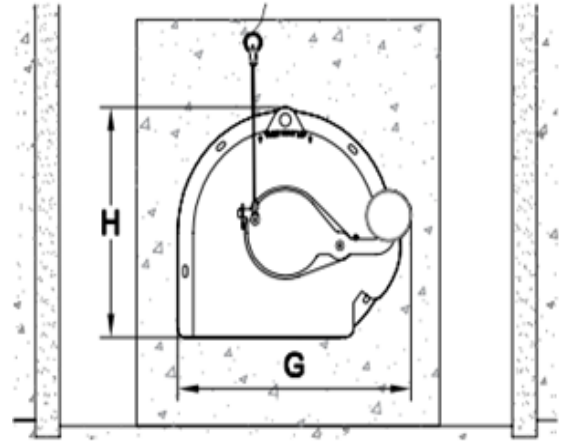




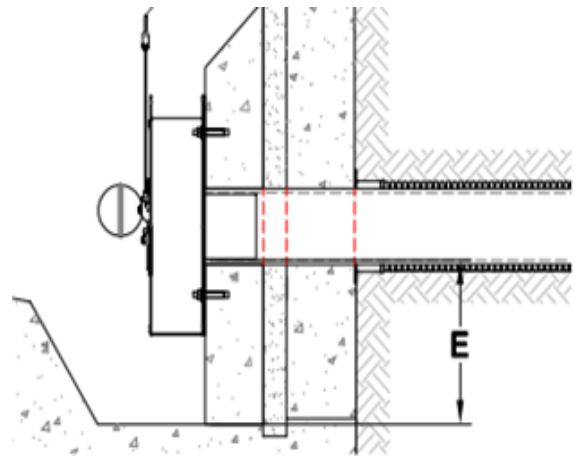
# ACO Q-Brake Dimensions



Plan View



Front View



Side View

## Flow Control Dimensions

Key	Description	Size [mm]
A	Body diameter	0
B	Body depth	0
C	Outlet diameter	0
G	Overall width	Simons code here
H	Overall height	0

## Chamber/Pipework Dimensions

Key	Description	Min Design [mm]	Design [mm]
D	Outlet pipe DN	0	-
E	Sump depth	200	-
F	Chamber diameter	0	0

\* Design dimensions shown are as selected by the designer.

Disclaimer: This design only applies to ACO Q-Brake and ACO Q-Plate products and no other parties' products. It is the responsibility of the designer ('user') to verify that the design parameters have been entered correctly. ACO Q-Brake and Q-Plate are intended to be used with surface water only.